



FARM EQUIPMENT

DEARBORN

CULTIVATORS

FIELD CULTIVATOR

(Models 10-95, 10-95A, 10-95B & 10-95C)

RIGID & SPRING SHANK CULTIVATORS

(Models 13-1, 13-2 & 13-2A)

**RIGID & SPRING SHANK FRONT END
CULTIVATOR ATTACHMENTS**

(Models 13-3 & 13-4)

**GROUND ENGAGING PARTS FOR CULTIVATORS
AND**

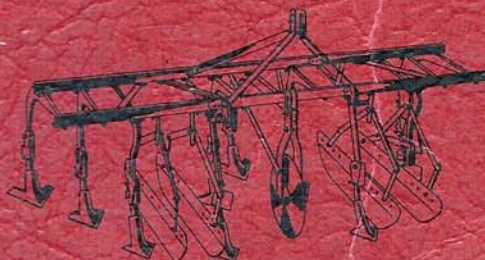
ROTARY HOE

MODEL 13-10

WEEDERS

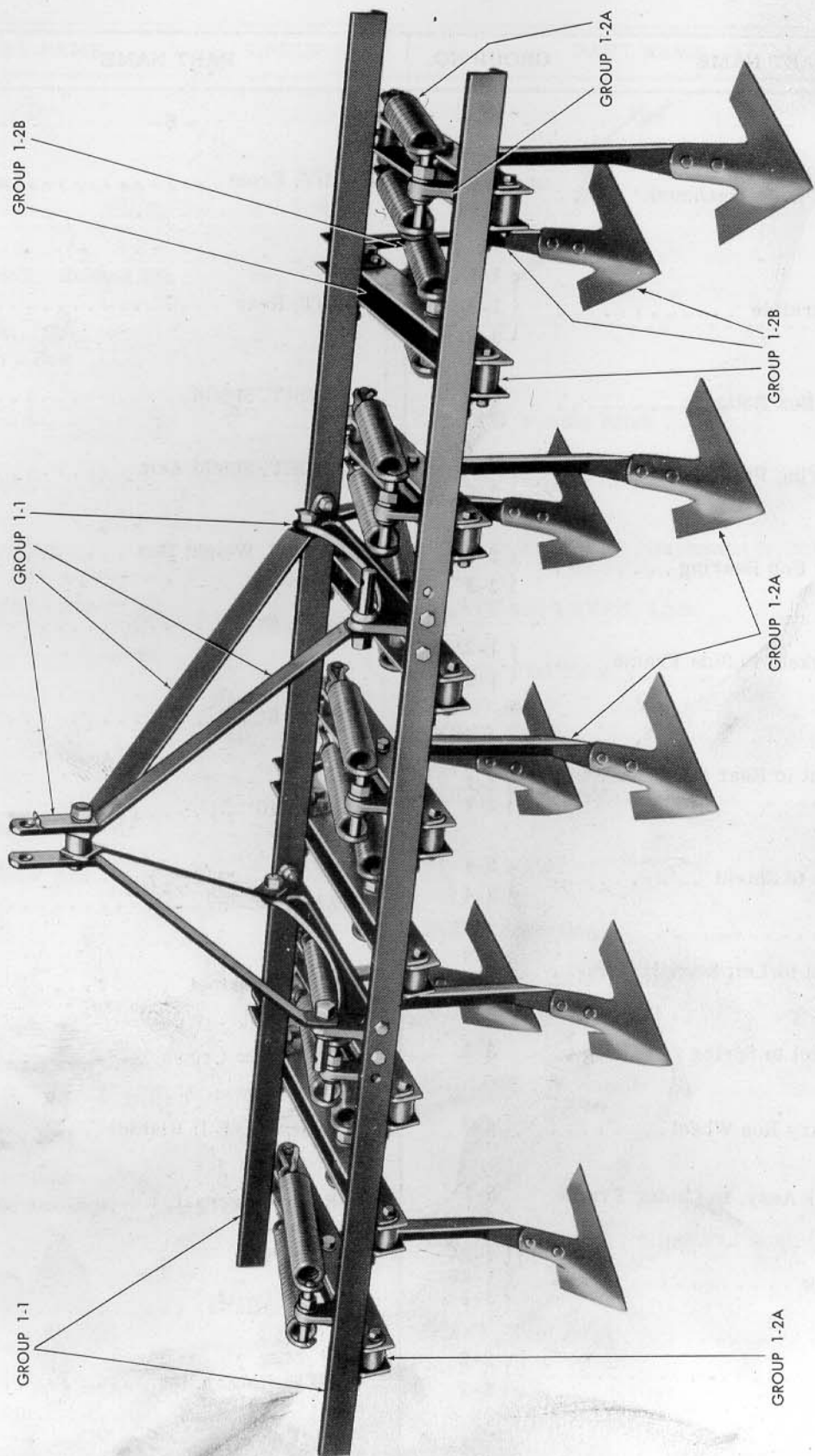
MODEL 13-5 & 13-9

MASTER PARTS BOOK



MAY 1949

DEARBORN MOTORS CORPORATION - DETROIT 3, MICHIGAN



GROUP 1-1

GROUP 1-1

GROUP 1-2B

GROUP 1-2A

GROUP 1-2A

GROUP 1-2B

GROUP 1-2A

DEARBORN FIELD *Cultivators*

MODELS 10-95, 10-95A, 10-95B and 10-95C

Group 1—DEARBORN FIELD CULTIVATORS Models 10-95, 10-95A, 10-95B and 10-95C

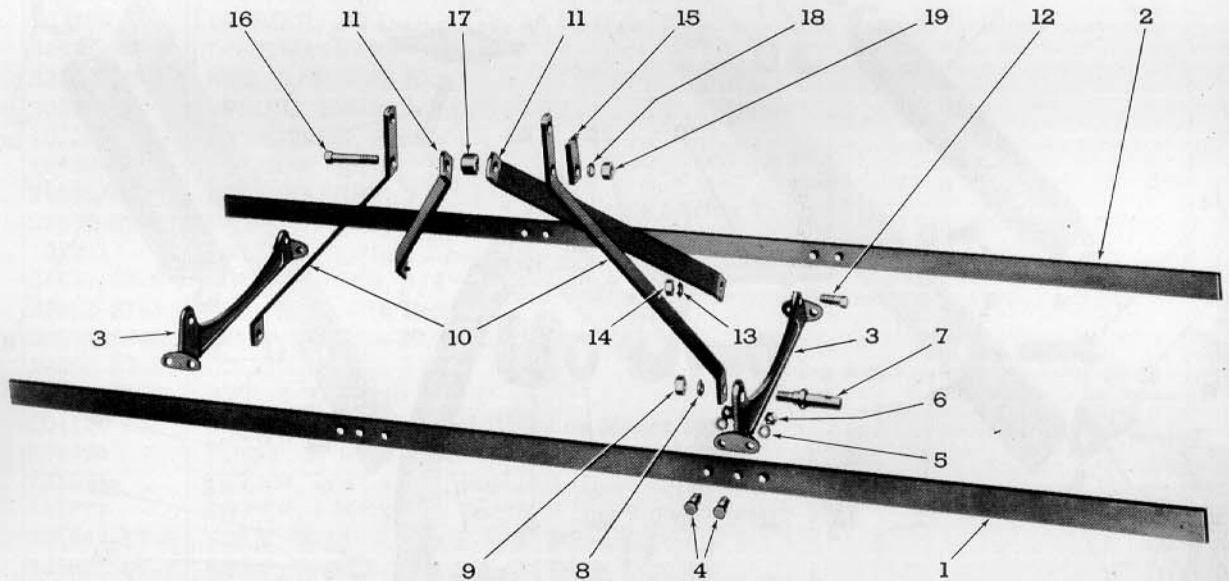


Figure 8 - Frame Assembly

FIG. 8	PART NO.	NAME AND DESCRIPTION	QTY. REQ.
Group 1-1—FRAME ASSEMBLY			
1	131000	BAR, Tool, Front	1
2	131208	BAR, Tool, Rear	1
3	103281	BRACKET, Front to Rear Tool Bar	2
4	20453-S7-8	BOLT, 1/2" - 20 x 1-3/8" Hex. Hd. } Bracket to Front and Rear Tool Bar . .	8
5	34809-S7-8	LOCKWASHER, 1/2" }	
6	33846-S7-8	NUT, 1/2" - 20 Hex. }	
7	103283	PIN, Link	2
8	34811-S7-8	LOCKWASHER, 5/8" } Link Pin to Bracket and Strut	2
9	33850-S7-8	NUT, 5/8 - 18 Hex. }	
10	103285	STRUT, Front	2
11	103287	STRUT, Rear	2
12	21038-S7-8	BOLT, 5/8" - 18 x 1-11/16" Hex. Hd. } Rear Strut to Bracket	2
13	34811-S7-8	LOCKWASHER, 5/8" }	
14	33850-S7-8	NUT, 5/8" - 18 Hex. }	
15	131009	LOCATOR, Link Pin	1
16	21137-S7-8	BOLT, 5/8" - 18 x 3-1/2" Hex. Hd. } Front to Rear Strut	1
17	131008	SPACER, .65 I. D. x 1.50 O. D. x 1.04 Lg. }	
18	34811-S7-8	LOCKWASHER, 5/8" }	
19	33850-S7-8	NUT, 5/8" - 18 Hex. }	

DEARBORN FIELD *Cultivators*

MODELS 10-95, 10-95A, 10-95B and 10-95C

Group 1-2—SHANK ASSEMBLIES

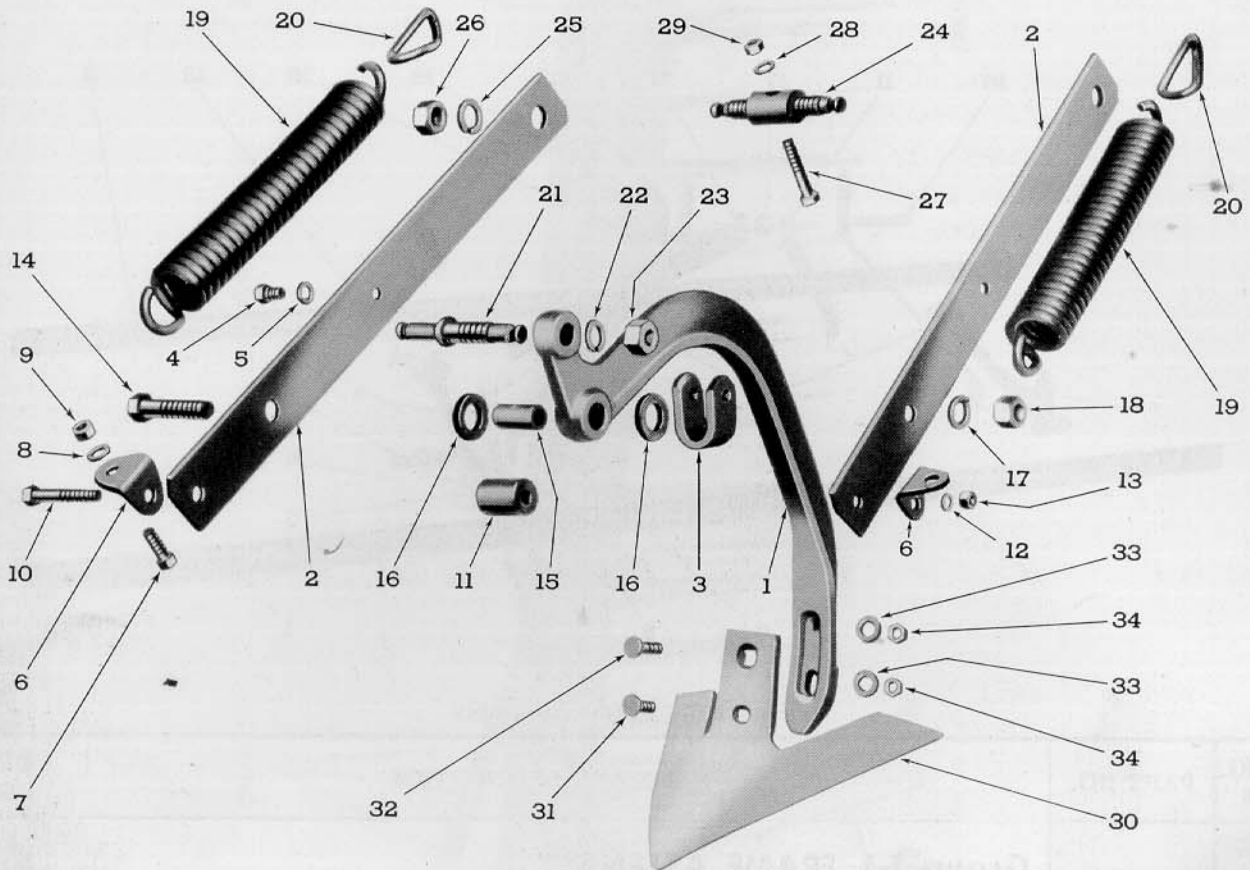


Figure 9 - Front Shank Assembly

FIG. 9	PART NO.	NAME AND DESCRIPTION	QTY. REQ.
Group 1-2A—FRONT SHANK ASSEMBLY			
NOTE: Models 10-95, 95A, 95B and 95C all have identical Front Shank Assemblies except for Ground Engaging Parts which are noted below:			
1	103289	SHANK, Front	5
2	103290	FRAME, Front Shank Side	10
3	103298	STOP, Front Shank	5
4	20341-S7-8	BOLT, 7/16" - 20 x 11/16" Hex. Hd.	} Stop to Side Frame
5	34808-S7-8	LOCKWASHER, 7/16"	
6	103296	BRACKET, Shank Side Frame	10
7	20401-S7-8	BOLT, 7/16" - 20 x 1-1/16" Hex. Hd.	} Side Frame Bracket to Front Tool Bar
8	34808-S7-8	LOCKWASHER, 7/16"	
9	33802-S7-8	NUT, 7/16" - 20 Hex.	10
10	300038	BOLT, 7/16" - 20 x 2-7/8" Hex. Hd.	} Side Frame Brackets to Side Frames
11	103297	SPACER, .461 I. D. x 1.25 O. D. x 1.62 Lg.	
12	34808-S7-8	LOCKWASHER, 7/16"	
13	33802-S7-8	NUT, 7/16" - 20 Hex.	5

DEARBORN FIELD *Cultivators*

MODELS 10-95, 10-95A, 10-95B and 10-95C

FIG. 9	PART NO.	NAME AND DESCRIPTION	QTY. REQ.
Group 1-2A—FRONT SHANK ASSEMBLY (Cont'd)			
14	21110-S7-8	BOLT, 5/8" - 18 x 2-3/4" Hex. Hd.	5
15	103291	SLEEVE, .64 I. D. x .875 O. D. x 1.62 Lg.	5
16	103299	WASHER, .90 I. D. x 1-5/8" O. D. x .25 Thk.	10
17	34811-S7-8	LOCKWASHER, 5/8" } Side Frames to Shank	
18	33850-S7-8	NUT, 5/8" - 18 Hex.	5
19	103292	SPRING, Shank	10
20	103295	EXTENSION, Spring	10
21	103294	ANCHOR, Spring, Front	5
22	34833-S7-8	LOCKWASHER, 3/4" } Front Spring Anchor to Shank	12
23	33852-S7-8	NUT, 3/4" - 16 Hex.	
24	103293	ANCHOR, Spring, Rear	5
25	34833-S7-8	LOCKWASHER, 3/4" } Rear Spring Anchor to Side Frames	10
26	33852-S7-8	NUT, 3/4" - 16 Hex.	
27	20547-S7-8	BOLT, 7/16" - 20 x 2-1/2" Hex. Hd.	5
28	34808-S7-8	LOCKWASHER, 7/16" } Rear Spring Anchor to Rear Tool Bar .	
29	33802-S7-8	NUT, 7/16" - 20 Hex.	
30	104170	SWEEP, 12" Universal (Used on Model 10-95A)	9
--	103305	POINT, 2" Reversible (Used on Model 10-95)	9
--	131671	SWEEP, 1/4" x 10", Duckfoot (Used on Model 10-95B)	9
--	131672	SWEEP, 1/4" x 12", Duckfoot (Used on Model 10-95C)	9
31	355642-S7-8	BOLT, 7/16" - 20 x 1-1/2" Plow	9
32	355665-S7-8	BOLT, 7/16" - 20 x 1-7/8" Plow } Sweep to Shank	
33	131033	WASHER, 7/16" Plain	
34	33802-S7-8	NUT, 7/16" - 20 Hex.	

See GROUP 6 For Ground Engaging Parts

DEARBORN FIELD *Cultivators*

MODELS 10-95, 10-95A, 10-95B and 10-95C

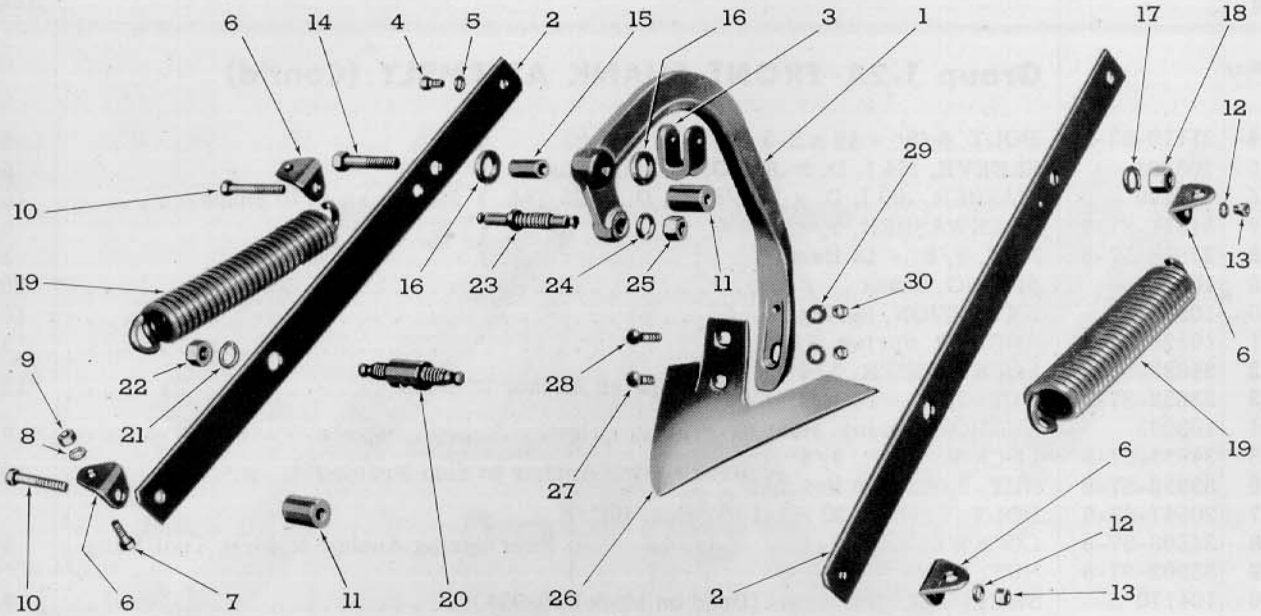


Figure 10 - Rear Shank Assembly

FIG. 10	PART NO.	NAME AND DESCRIPTION	QTY. REQ.
Group 1-2B-REAR SHANK ASSEMBLY			
NOTE: Models 10-95, 95A, 95B and 95C all have identical Rear Shank Assemblies except for Ground Engaging Parts which are noted below:			
1	103301	SHANK, Rear	4
2	103302	FRAME, Side	8
3	103298	STOP, Shank	4
4	20341-S7-8	BOLT, 7/16" - 20 x 11/16" Hex. Hd.	} Stop to Side Frame
5	34808-S7-8	LOCKWASHER, 7/16"	
6	103296	BRACKET	} Bracket to Tool Bar
7	20401-S7-8	BOLT, 7/16" - 20 x 1-1/16" Hex. Hd.	
8	34808-S7-8	LOCKWASHER, 7/16"	} Side Frame Brackets to Side Frame
9	33802-S7-8	NUT, 7/16" - 20 Hex.	
10	300038	BOLT, 7/16" - 20 x 2-7/8" Hex. Hd.	} Side Frames to Shank
11	103297	SPACER, .461 I. D. x 1.24 O. D. x 1.62 Lg.	
12	34808-S7-8	LOCKWASHER, 7/16"	} Side Frames to Shank
13	33802-S7-8	NUT, 7/16" - 20 Hex.	
14	21110-S7-8	BOLT, 5/8" - 18 x 2-3/4" Hex. Hd.	} Side Frames to Shank
15	103291	SLEEVE, .64 I. D. x .875 O. D. x 1.62 Lg.	
16	103299	WASHER, .90 I. D. x 1-5/8" O. D. x .25 Thk.	} Side Frames to Shank
17	34811-S7-8	LOCKWASHER, 5/8"	
18	33850-S7-8	NUT, 5/8" - 18 Hex.	4
19	103292	SPRING, Shank	8
20	103303	ANCHOR, Spring, Front	4
21	34833-S7-8	LOCKWASHER, 3/4"	} Front Spring Anchor to Side Frames
22	33852-S7-8	NUT, 3/4" - 16 Hex.	
23	103294	ANCHOR, Spring, Rear	4
24	34833-S7-8	LOCKWASHER, 3/4"	} Rear Spring Anchor to Shank
25	33852-S7-8	NUT, 3/4" - 16 Hex.	

DEARBORN FIELD *Cultivators*

MODELS 10-95, 10-95A, 10-95B and 10-95C

FIG. 10	PART NO.	NAME AND DESCRIPTION	QTY. REQ.
Group 1-2B—REAR SHANK ASSEMBLY (Cont'd)			
26	104170	SWEEP, 12" Universal (Used on Model 10-95A)	9
--	103305	POINT, 2" Reversible (Used on Model 10-95)	
--	131671	SWEEP, 1/4" x 10", Duckfoot (Used in Model 10-95B)	9
--	131672	SWEEP, 1/4" x 12", Duckfoot (Used on Model 10-95C)	9
27	355642-S7-8	BOLT, 7/16" - 20 x 1-1/2" Plow } BOLT, 7/16" - 20 x 1-7/8" Plow } WASHER, 7/16" Plain } NUT, 7/16" - 20 Hex. }	9
28	355665-S7-8		9
29	131033		9
30	33802-S7-8		18
Sweep to Shank			18
See GROUP 6 For Ground Engaging Parts			
www.ntractorclub.com			

Group 6—DEARBORN GROUND ENGAGING PARTS FOR RIGID AND SPRING SHANK CULTIVATORS



Figure 28 - Universal Sweeps

FIG. 28	PART NO.	NAME AND DESCRIPTION	QTY. REQ.
Group 6-1—UNIVERSAL SWEEPS			
1	131280	SWEEP, Universal, 1/4" x 12"	As Req.
2	131281	SWEEP, Universal, 1/4" x 14"	As Req.
3	131282	SWEEP, Universal, 1/4" x 16"	As Req.
4	131283	SWEEP, Universal, 1/4" x 18"	As Req.
5	131284	SWEEP, Universal, 1/4" x 20"	As Req.
6	131800	SWEEP, Universal, Left Half, 1/4" x 10"	As Req.
7	131801	SWEEP, Universal, Right Half, 1/4" x 10"	As Req.
8	131820	SWEEP, Universal, (Soft Center Steel) 1/4" x 9"	As Req.
8	131821	SWEEP, Universal (Crucible Steel) 1/4" x 9"	As Req.

DEARBORN GROUND ENGAGING PARTS FOR RIGID AND SPRING SHANK CULTIVATORS

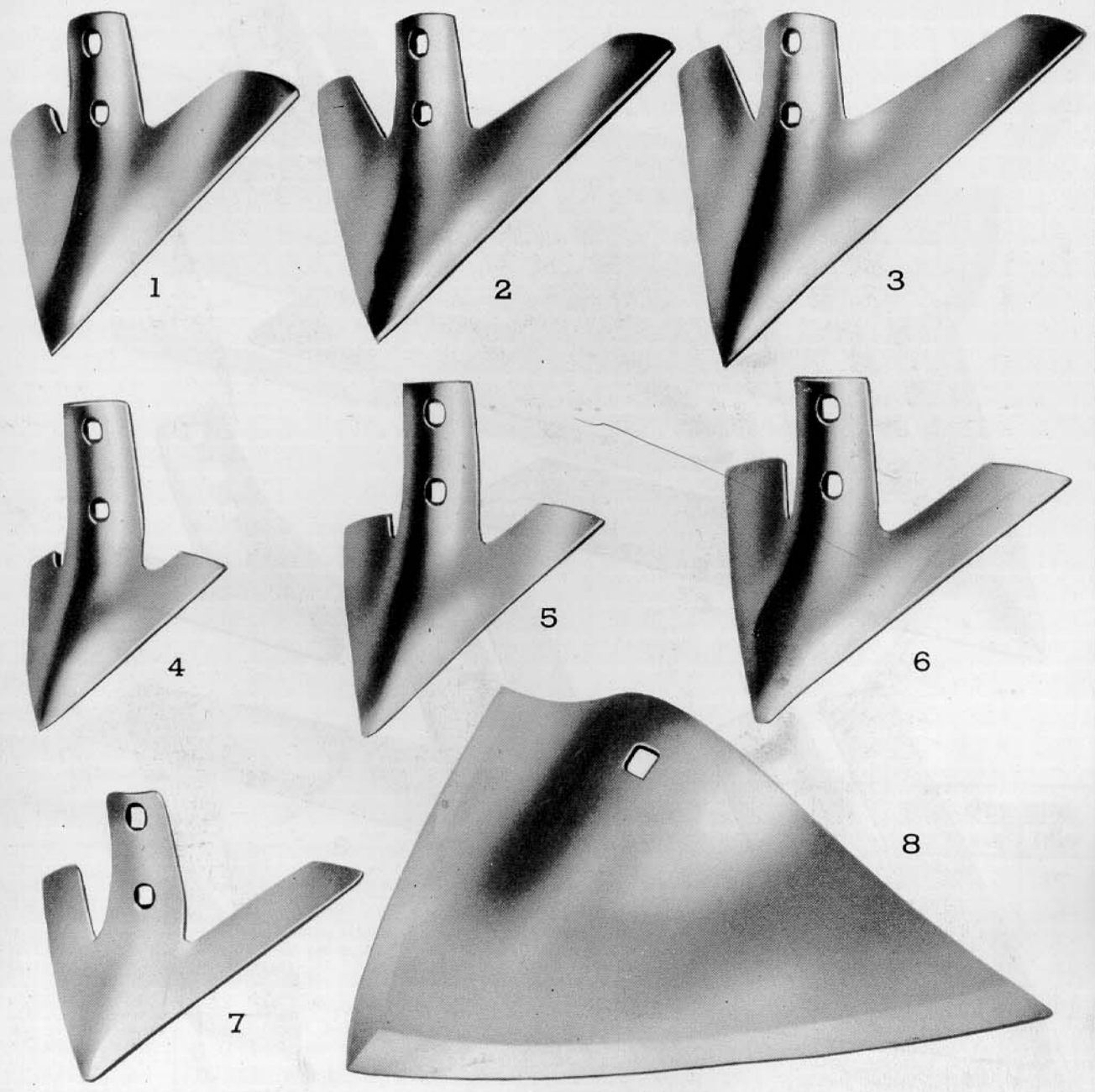


Figure 29 - Duckfoot, Low Crown and Miscellaneous Sweeps

FIG. 29	PART NO.	NAME AND DESCRIPTION	QTY. REQ.
Group 6-2—DUCKFOOT, LOW CROWN AND MISCELLANEOUS SWEEPS			
1	131671	SWEEP, Duckfoot, 1/4" x 10"	As Req.
2	131672	SWEEP, Duckfoot, 1/4" x 12"	As Req.
3	131730	SWEEP, Duckfoot, 1/4" x 14"	As Req.
4	131019	SWEEP, Low Crown, 3/16" x 6"	As Req.
5	131020	SWEEP, Low Crown, 3/16" x 8"	As Req.
6	131021	SWEEP, Low Crown, 3/16" x 10"	As Req.
7	131802	SWEEP, Low Crown, High Speed, 3/16" x 6"	As Req.
-	131803	SWEEP, Low Crown, High Speed, 3/16" x 8"	As Req.
-	131804	SWEEP, Low Crown, High Speed, 3/16" x 10"	As Req.
8	120781	SWEEP, Mr. Bill Planter, 20" www.tractorclub.com	As Req.

DEARBORN GROUND ENGAGING PARTS FOR RIGID AND SPRING SHANK CULTIVATORS

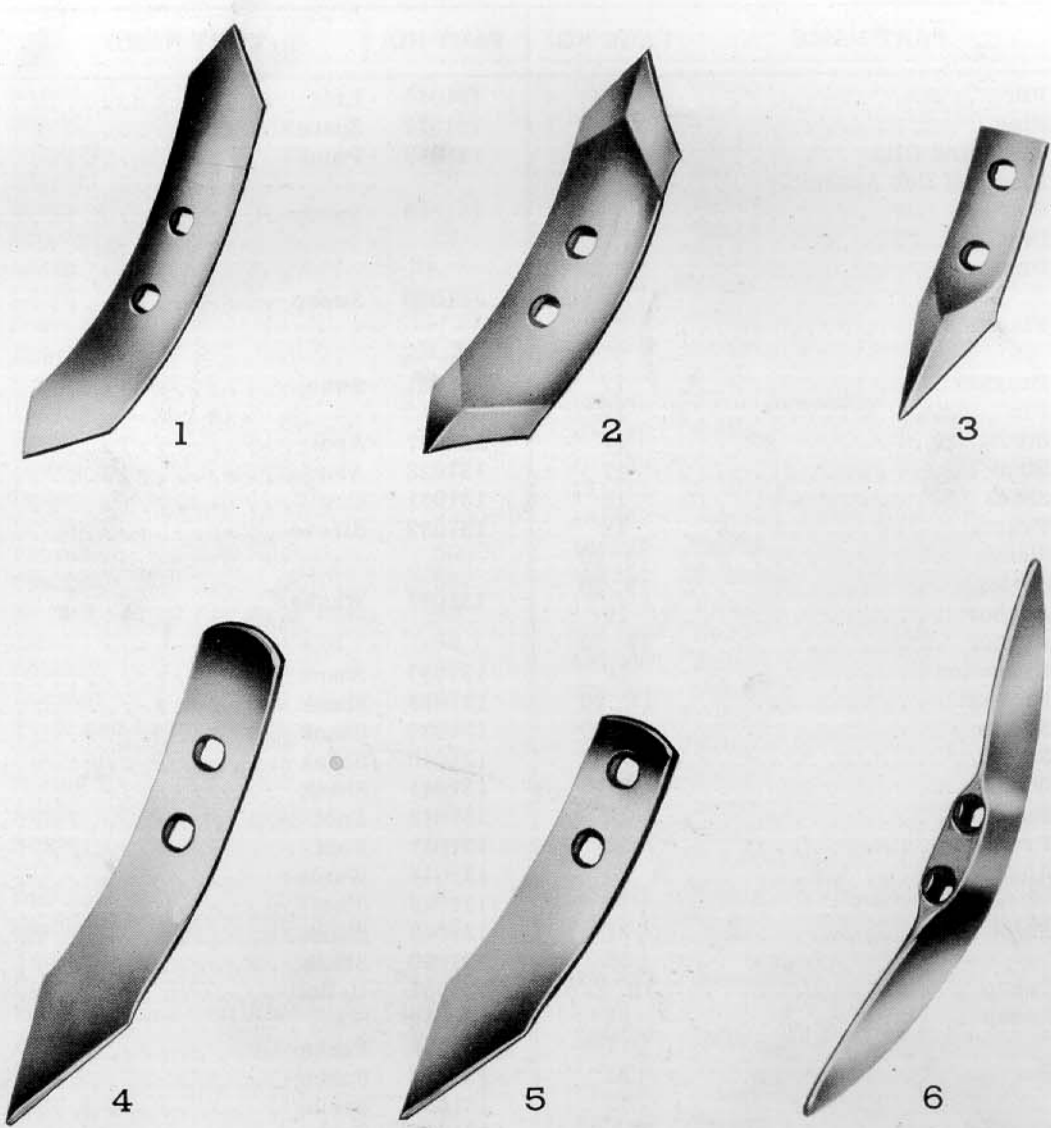


Figure 30 - Points and Teeth

FIG. 30	PART NO.	NAME AND DESCRIPTION	QTY. REQ.
Group 6-3—POINTS AND TEETH			
1	103305	POINT, Reversible, 5/16" x 2" x 10-1/2"	As Req.
2	131018	POINT, Reversible, 5/16" x 2-1/2" x 10-1/2"	As Req.
3	131569	POINT, Plain, 1/4" x 1-3/4" x 6-1/2"	As Req.
4	131568	POINT, Flat Face, 5/16" x 2" x 11"	As Req.
5	131590	POINT, Flat Face, 5/16" x 2" x 10"	As Req.
6	132023	TOOTH, Alfalfa	As Req.